

DX Series Touch Panel



DX3



LTECH

DX3 RGB Touch Panel

1. Technical Specs:

DX3 RGB Touch Panel

Input Voltage: 100~240Vac
Output Signal: RF 2.4GHz, DMX512
Working Temp.: -30°C~55°C

Dimensions: L86×W86×H36(mm)
Package Size: L113×W112×H50(mm)
Weight(G.W.): 225g

R4-5A CV Receiver

Input Voltage: 5~24Vdc
Current Load: 5A × 4CH Max. 20A
Output Power: Max.100W/240W/480W(5V/12V/24V)
Wireless Signal: 2.4GHz

Working Temp.: -30°C~55°C
Dimensions: L175×W44×H30(mm)
Package Size: L178×W48×H33(mm)
Weight(G.W.): 150g

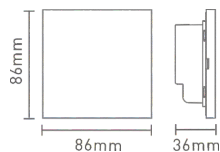
R4-CC CC Receiver

Input Voltage: 12~48Vdc
Output Voltage: 3~46Vdc
Output Current: CC 350/700/1050mA×4CH
Output Power: 1.05W~48.3W×4CH Max 193.2W
Wireless Signal: 2.4GHz

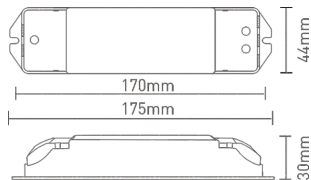
Working Temp.: -30°C~55°C
Dimensions: L175×W44×H30(mm)
Package Size: L178×W48×H33(mm)
Weight(G.W.): 165g

Note: Receiver is sold separately.

2. Product Size:



Touch Panel



R4-5A/R4-CC Receiver

LTECH

DX3 RGB Touch Panel

3. Installation Instruction:



Install



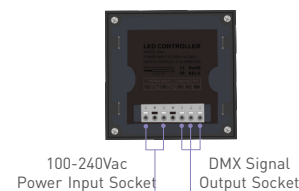
Uninstall

4. Key Functions:



* Long press to turn on/off the tone.

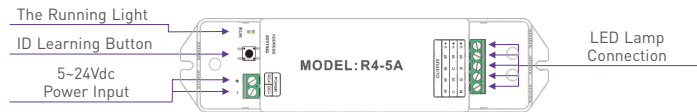
5. Terminals:



The Changing Mode

1. Static Red
2. Static Green
3. Static Blue
4. Static Yellow
5. Static Purple
6. Static Cyan
7. Static White
8. RGBJumping
9. 7 Colors Jumping
10. RGB Smooth
11. 7 Colors Smooth

6. Operating Instruction for Receiver:



(Operation Table)

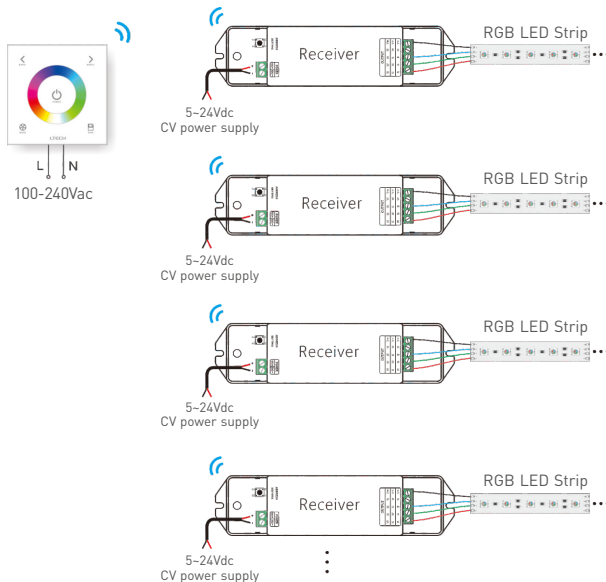
OFF	OFF	OFF	ON	ON	ON
350mA	700mA	1050mA			

7. The Learning ID Method :

Learning ID: Short press "ID learning button" on the R4-5A/R4-CC receiver, the running light keeps on. Then press any key or touch circle on the DX3 touch panel, the running light flicker several times, the buzzer long beep, activated.

Canceling ID: Long press "ID learning button" on the R4-5A/R4-CC receiver for 5s, the running light flicker several times, the buzzer long beep, canceled.

8. Wiring Diagram 1 (Wireless Control):



9. Wiring Diagram 2 (Connect to DMX Decoder):

